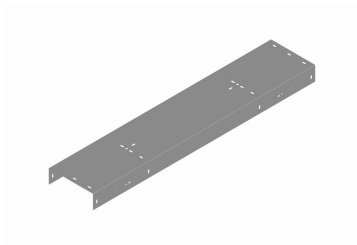


MT-F501



Solid Waveguide Bridge Channel, 12 in x 10 ft

Product Classification

Product Type Waveguide bridge channel

General Specifications

Application Waveguide bridge kit, 12 in

Mounting Waveguide bridge support bracket

Dimensions

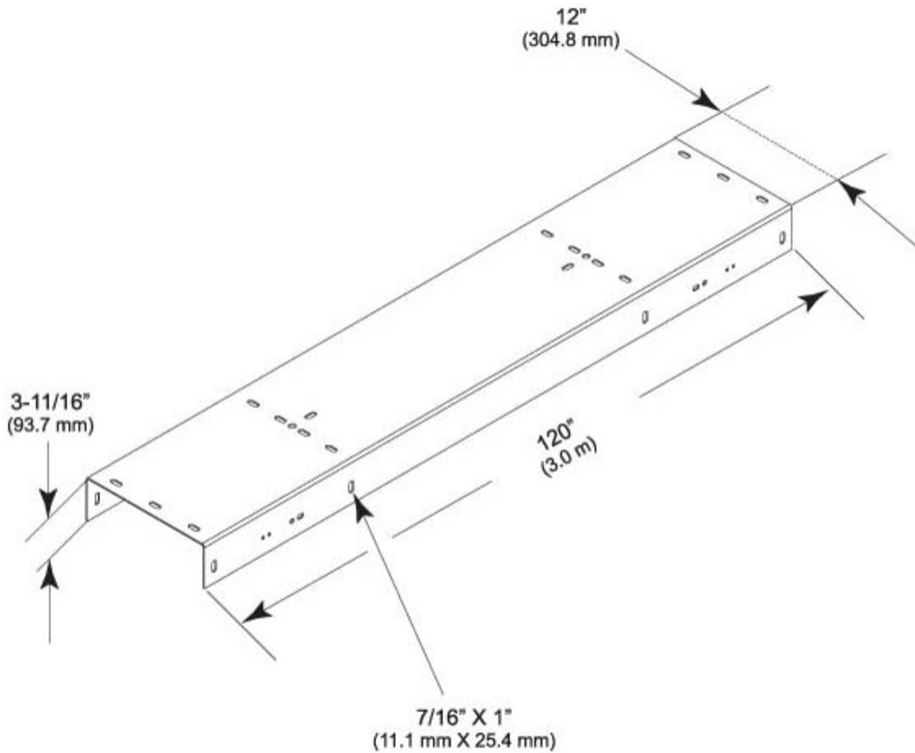
Height 101.6 mm | 4 in

Width 304.8 mm | 12 in

Length 3048 mm | 120 in

MT-F501

Outline Drawing



Material Specifications

Material Type Hot dip galvanized steel

Packaging and Weights

Included Bridge channel

Packaging quantity 1

Weight, net 35.4 kg | 78.044 lb

Regulatory Compliance/Certifications

Agency

CHINA-ROHS

ISO 9001:2015

Classification

Below maximum concentration value

Designed, manufactured and/or distributed under this quality management system

MT-F501

REACH-SVHC

Compliant as per SVHC revision on www.commscope.com/ProductCompliance

ROHS

Compliant

